

Fig.1

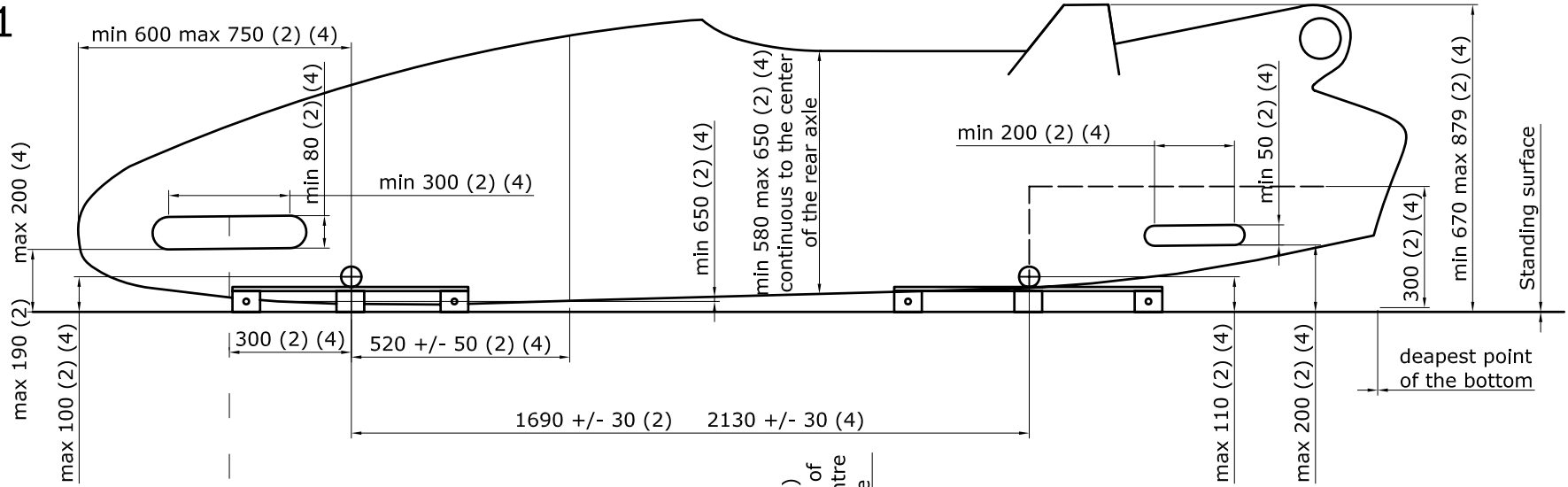


Fig.2

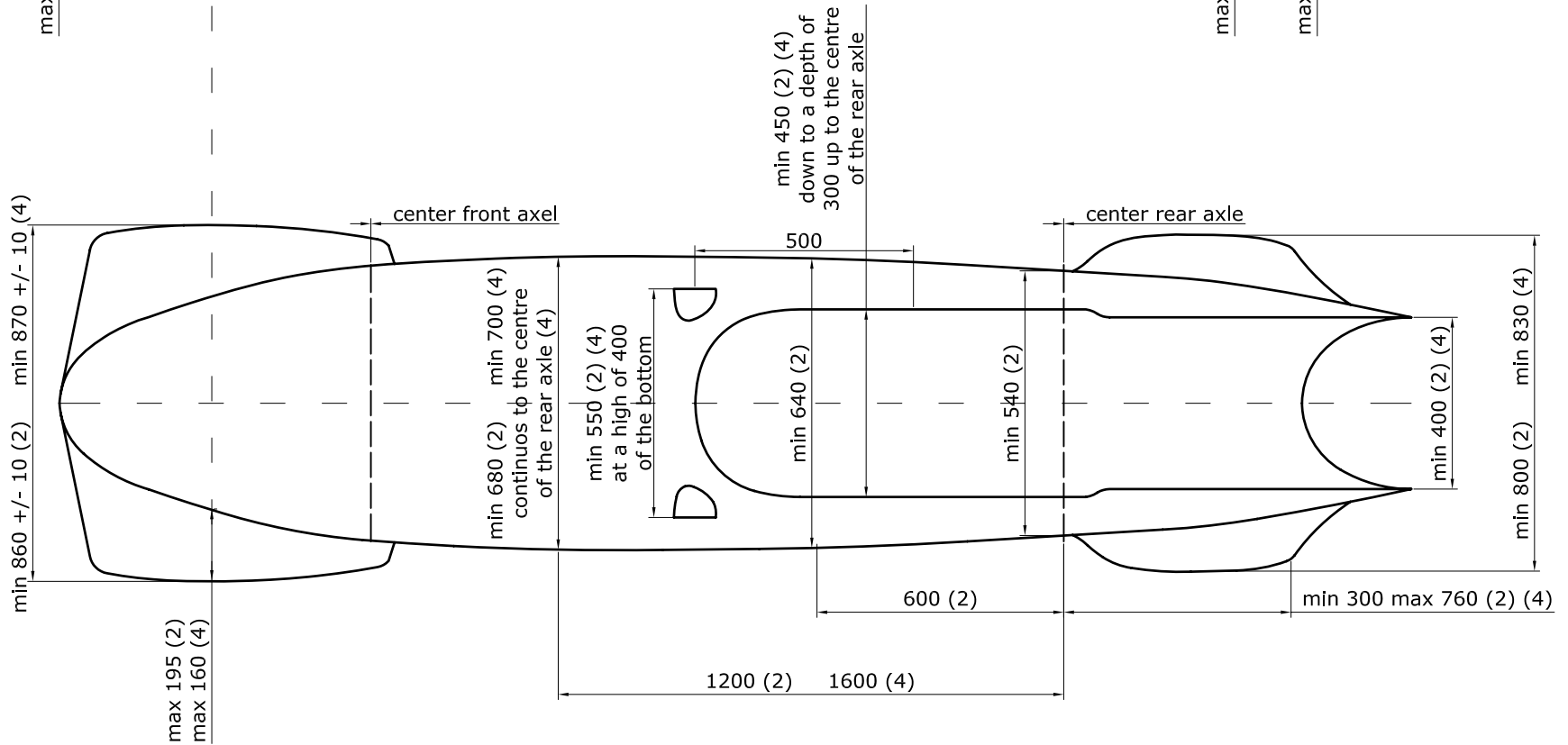
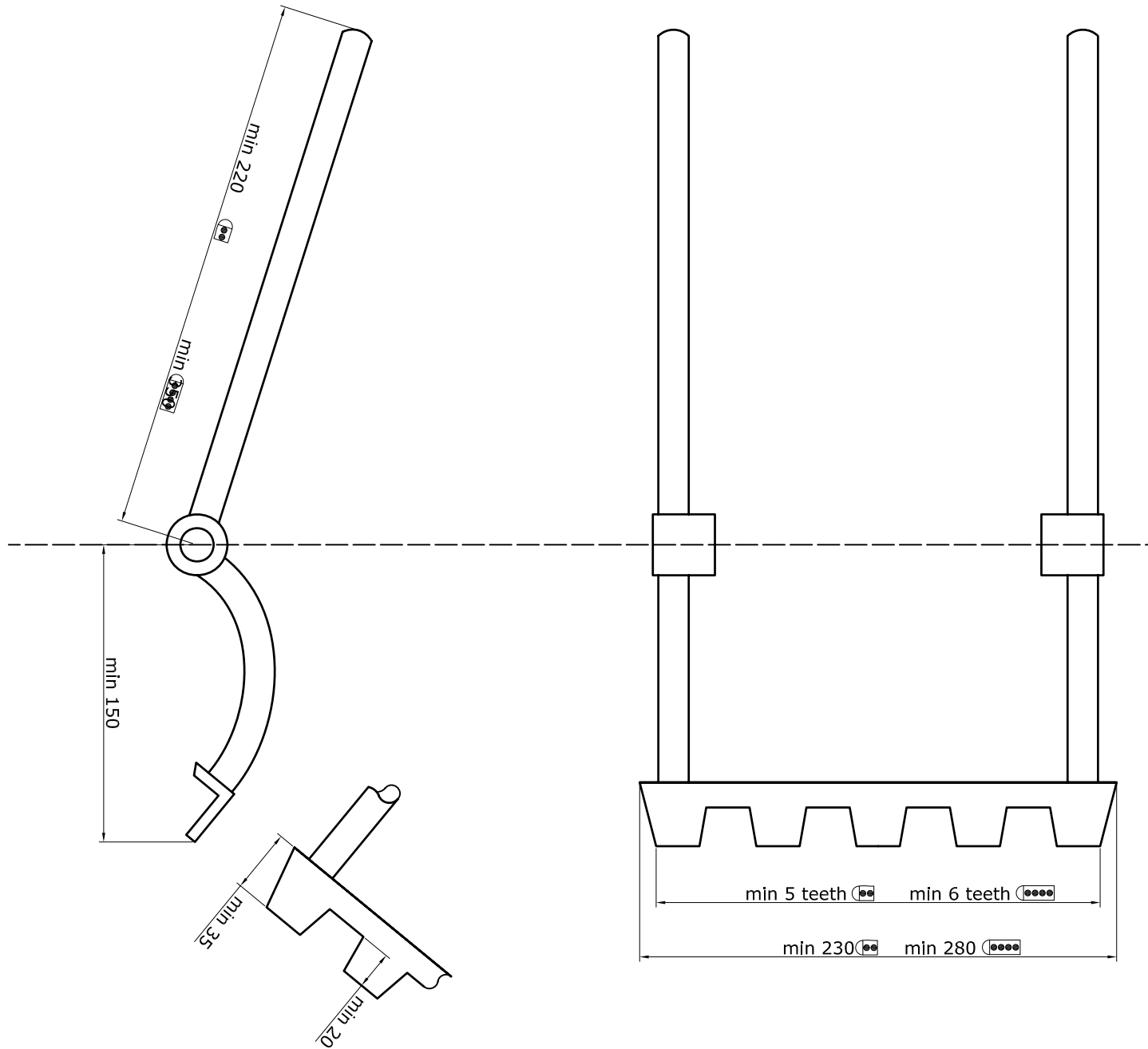


Fig.20



All measurements in mm

Fig.17

Runner carriers 4 man bob

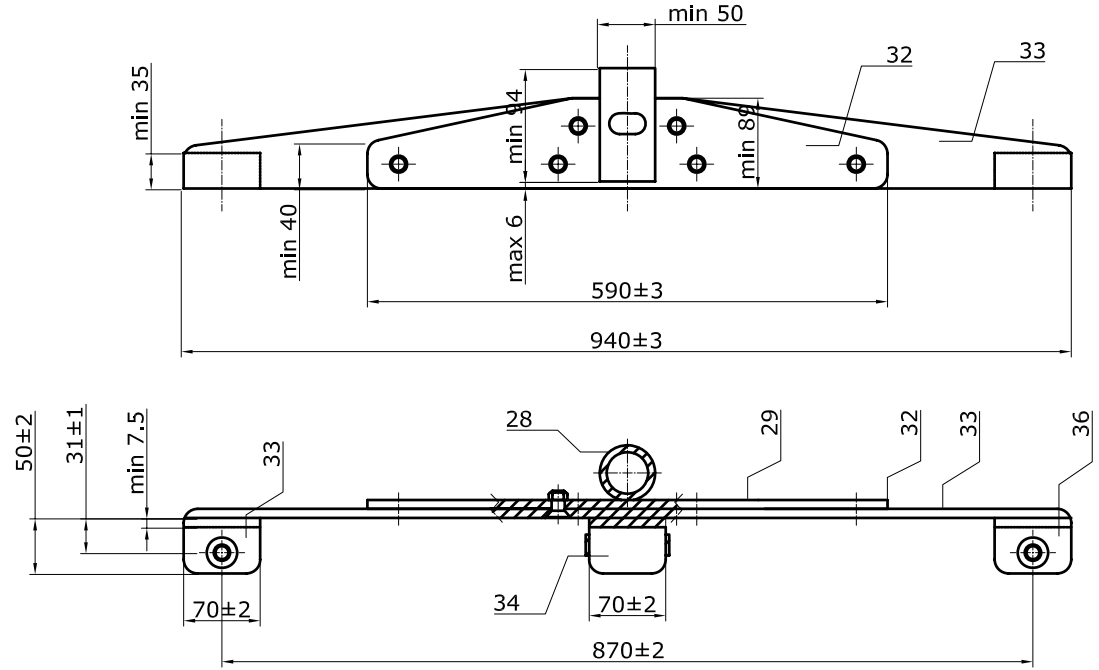
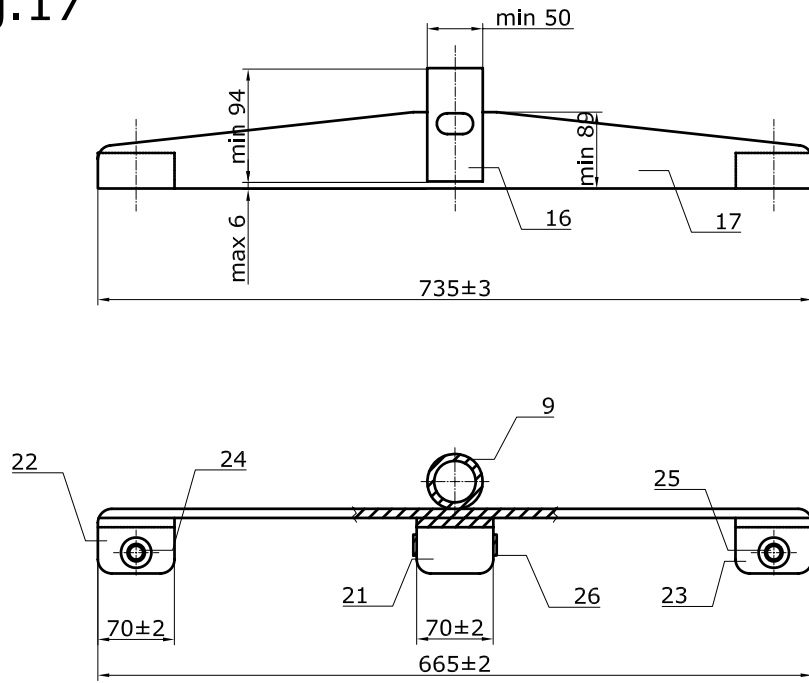
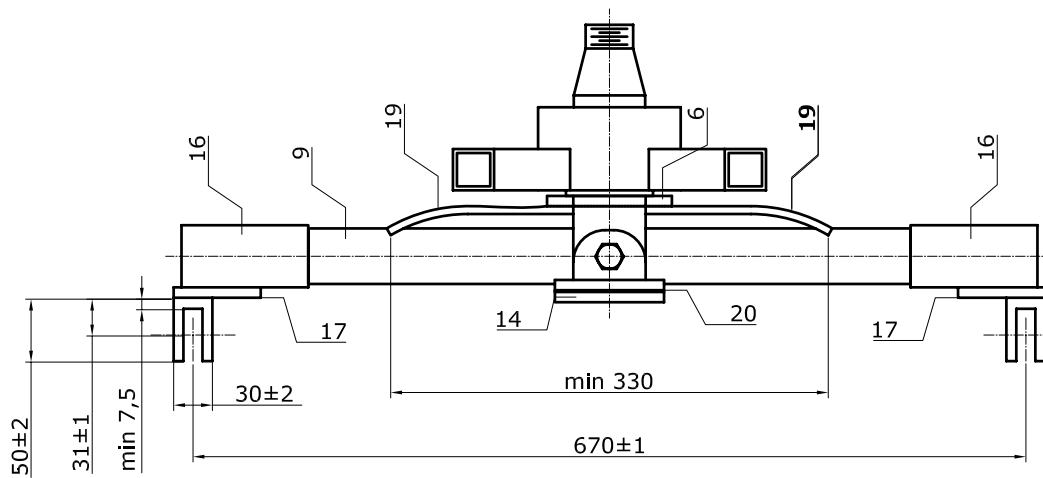


Fig.16

Front view of frame 4 man bob



All measurements in mm

Fig.18

Front axel 4 man bob

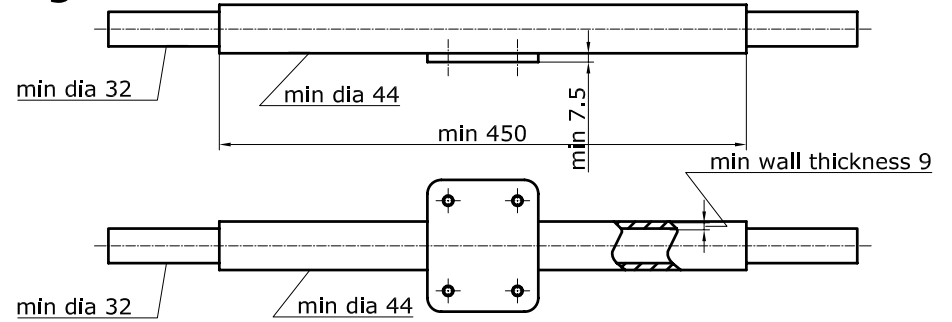


Fig.19

Rear axel 4 man bob

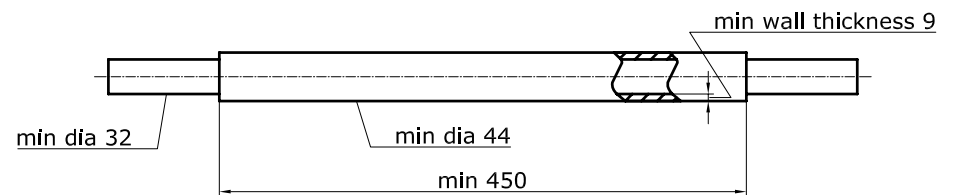


Fig.14

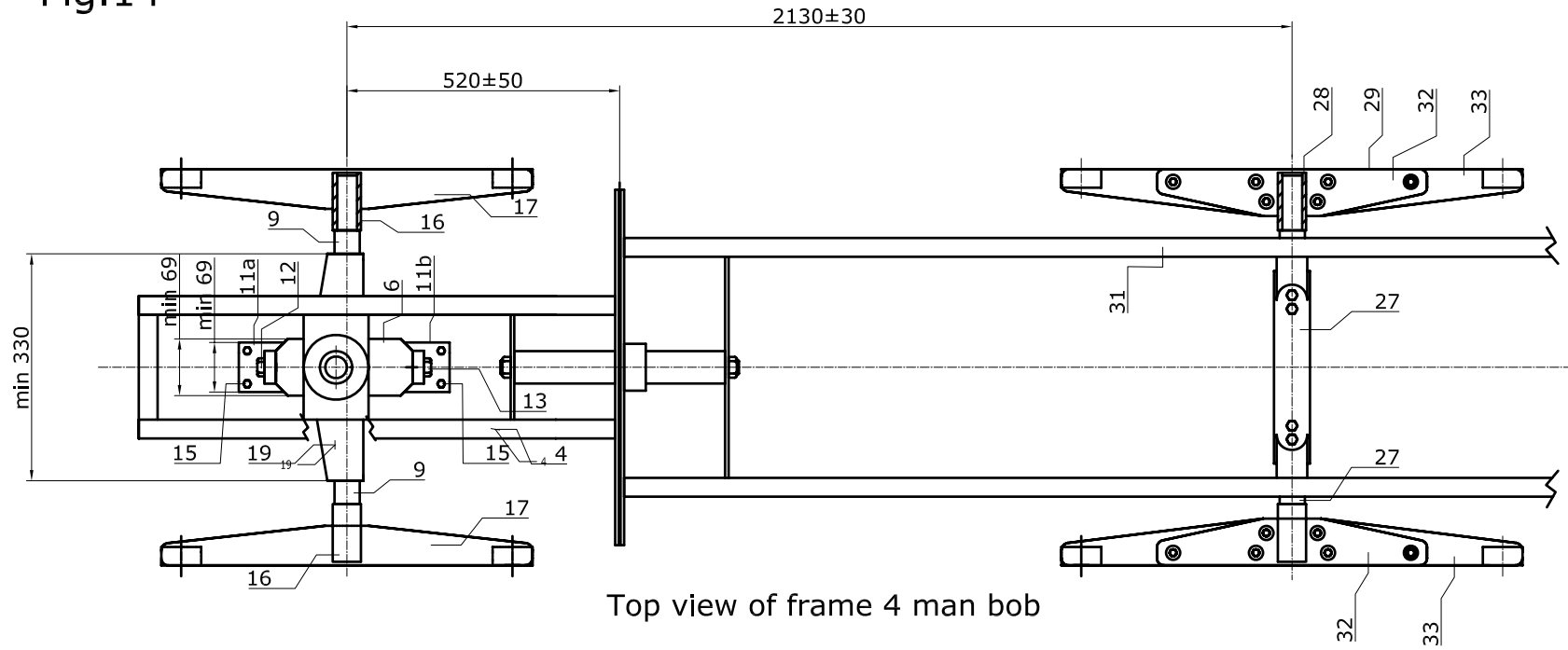


Fig.15

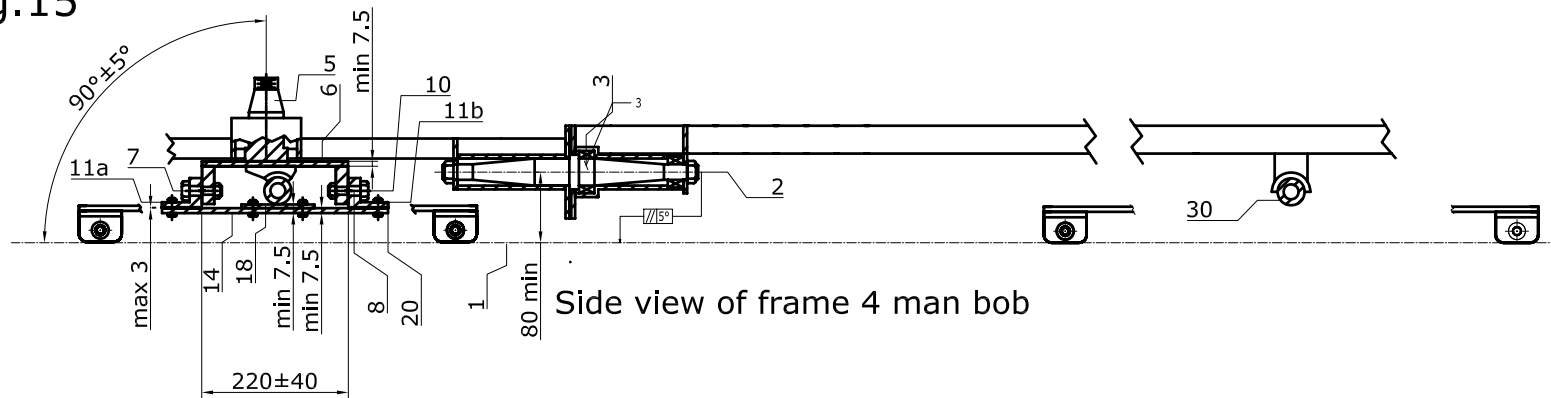


Fig.11

Runner carriers 2 man bob

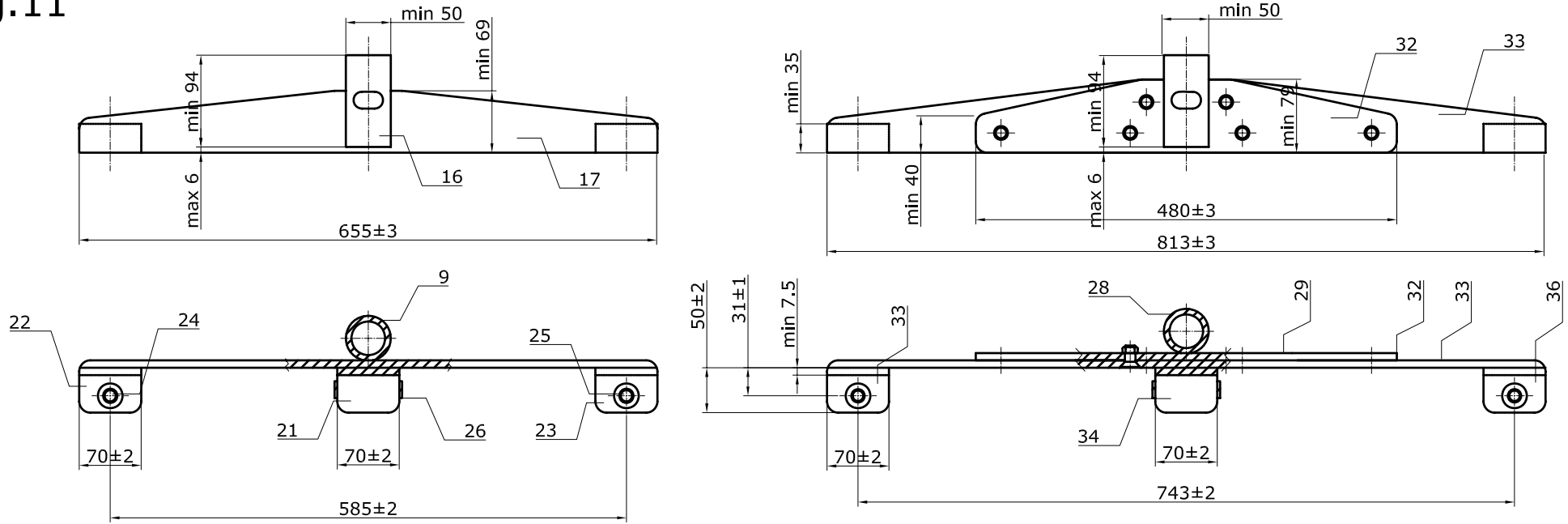
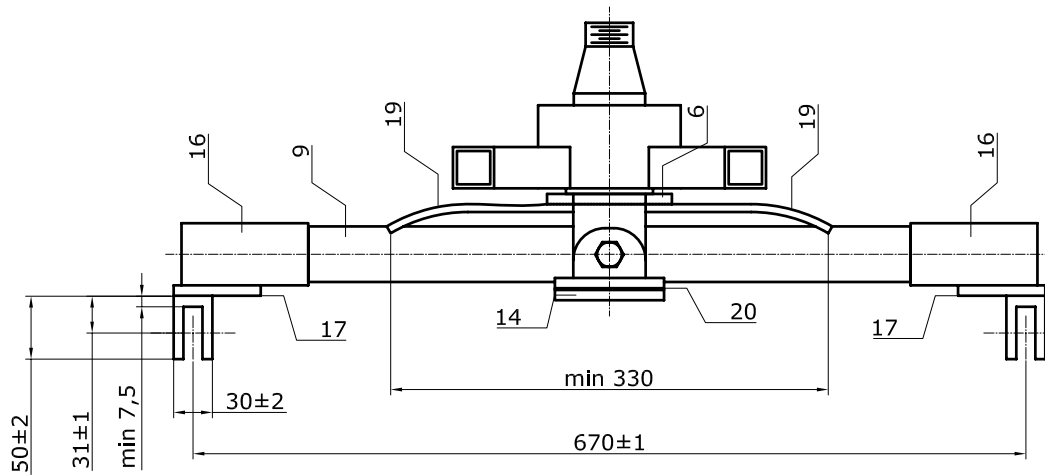


Fig.10

Front view of frame 2 man bob



All measurements in mm

Fig.12

Front axel 2 man bob

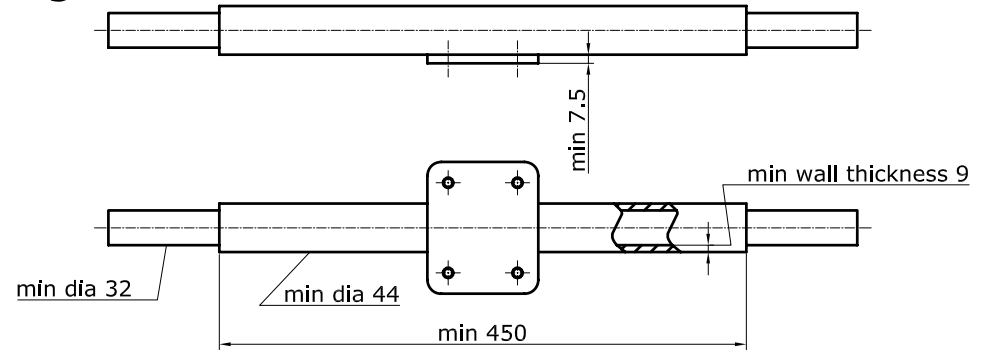


Fig.13

Rear axel 2 man bob

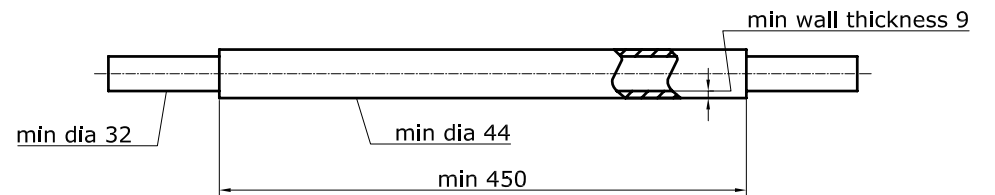


Fig.8

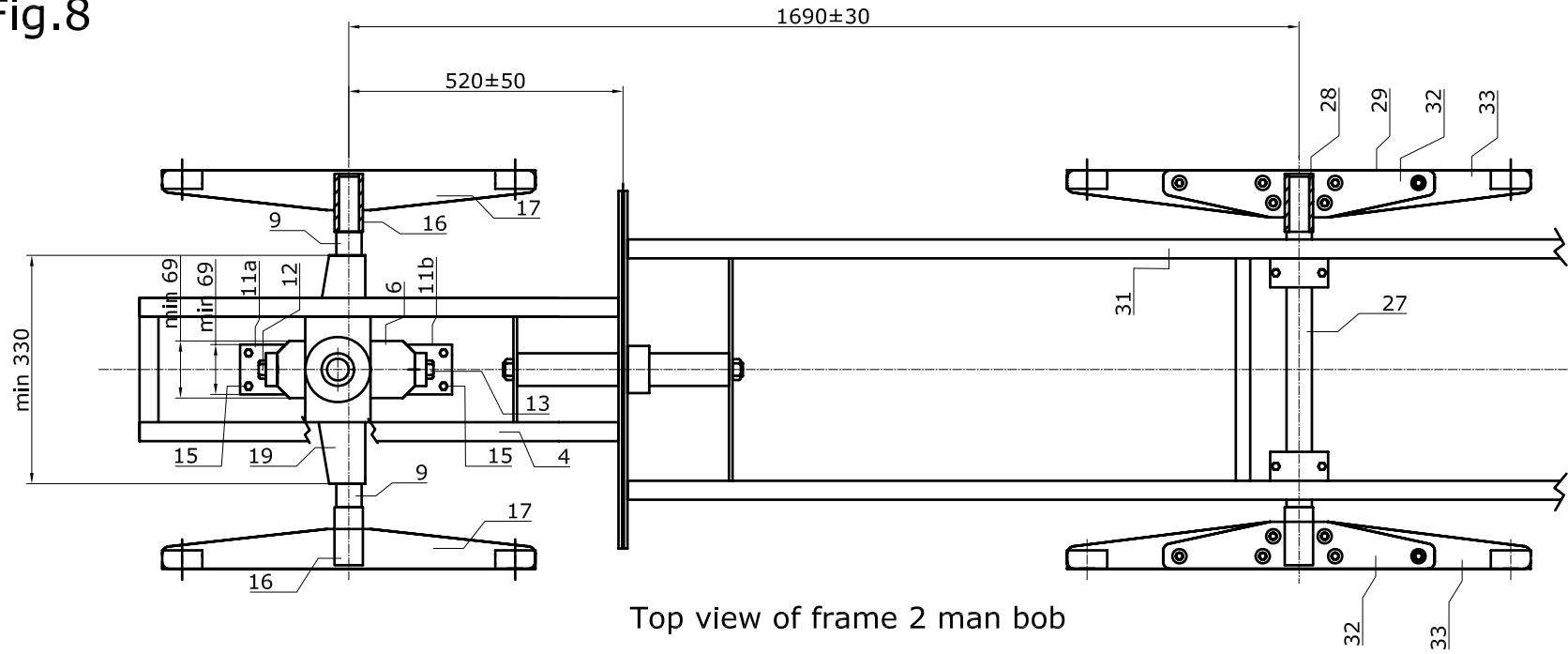
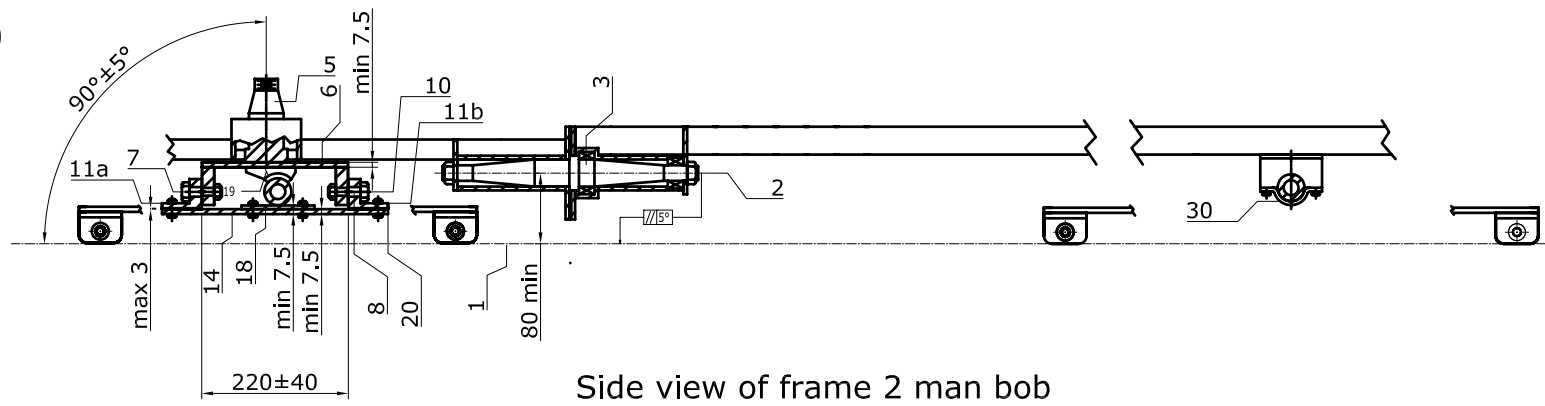
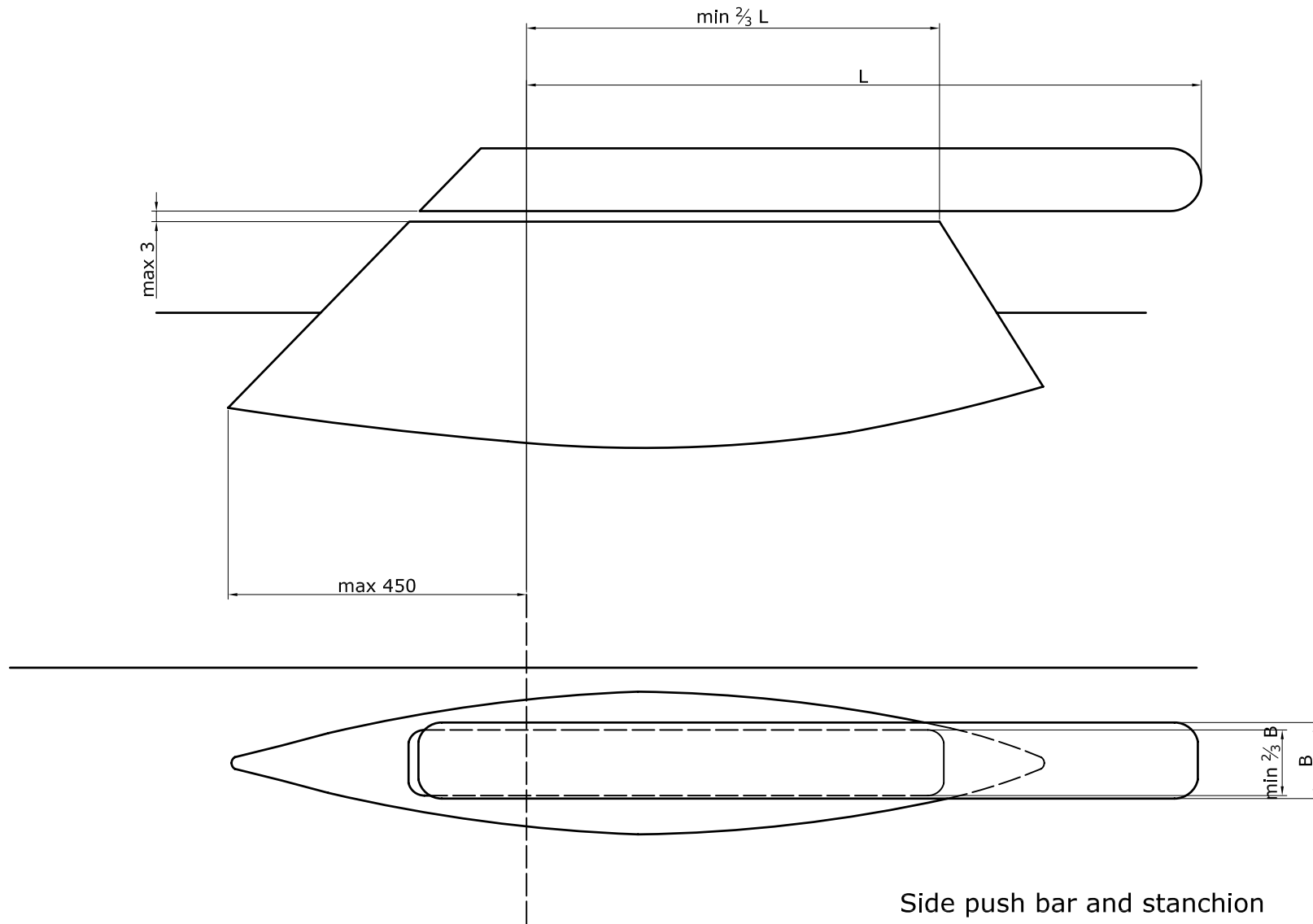


Fig.9



All measurements in mm

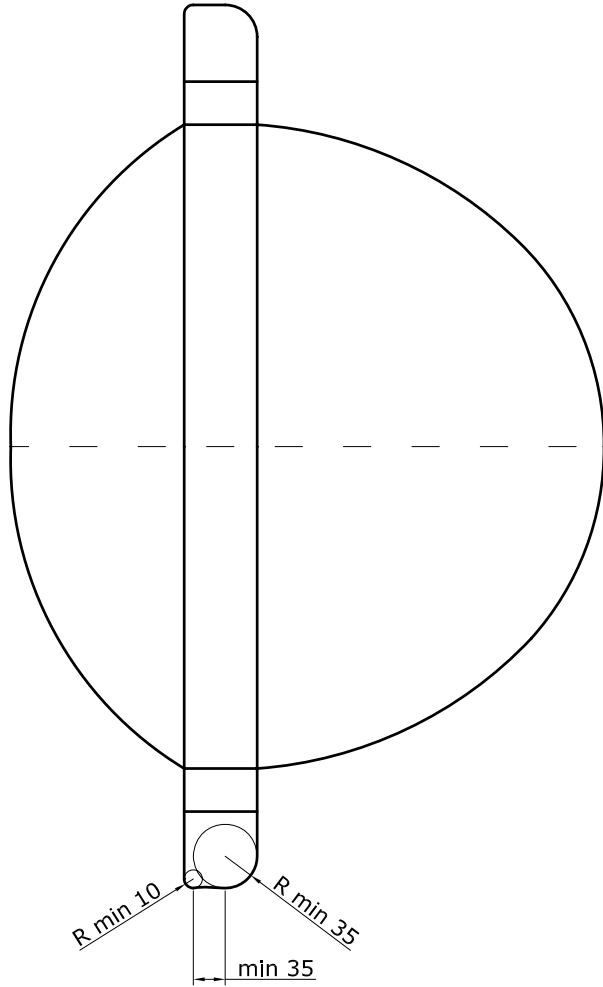
Fig.7



Side push bar and stanchion

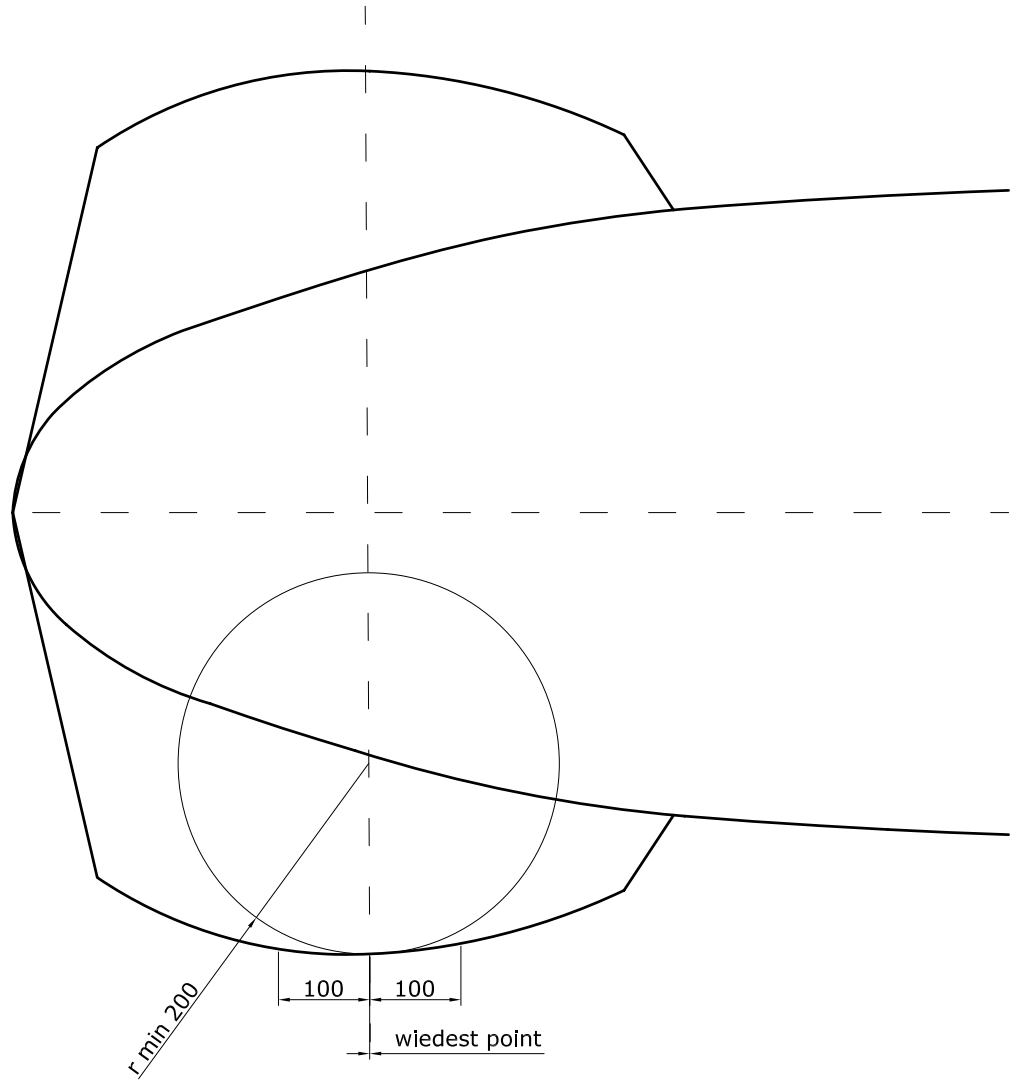
All measurements in mm



Fig.5



Front bumpers  

Fig.6



Front and back bumpers  

All measurements in mm



Fig.4

View A of Fig. 1 and 2

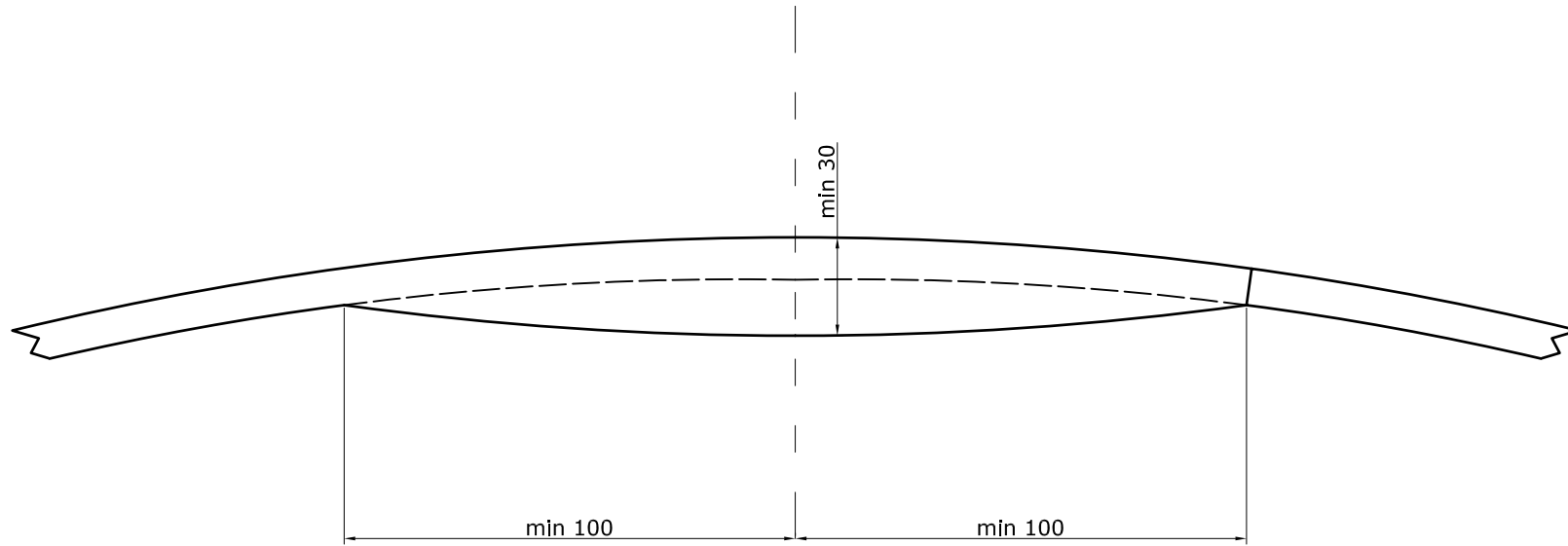


Fig.3

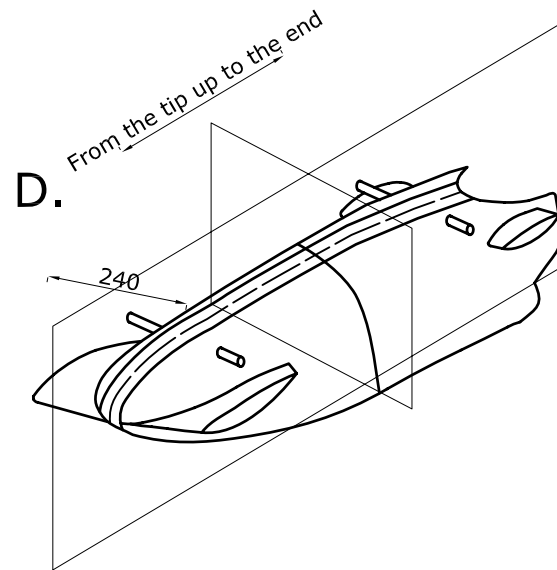
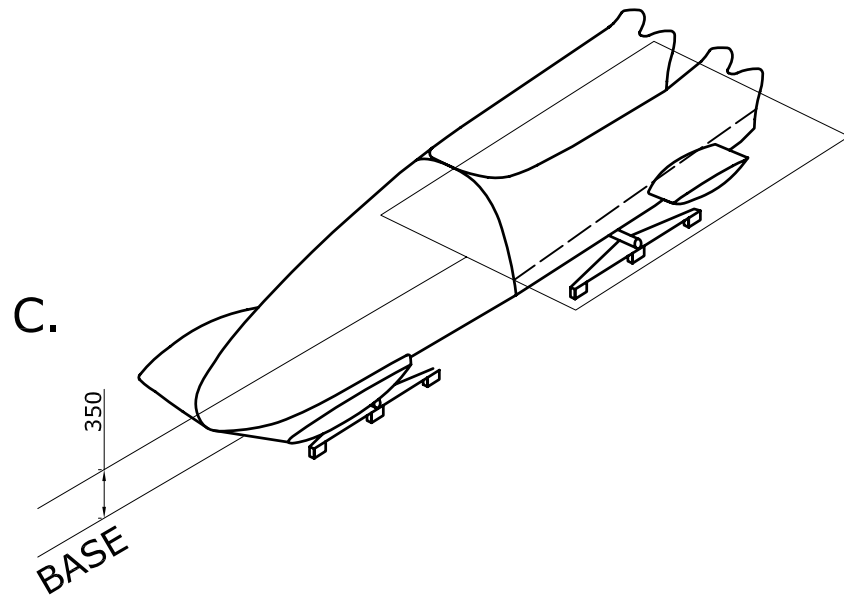
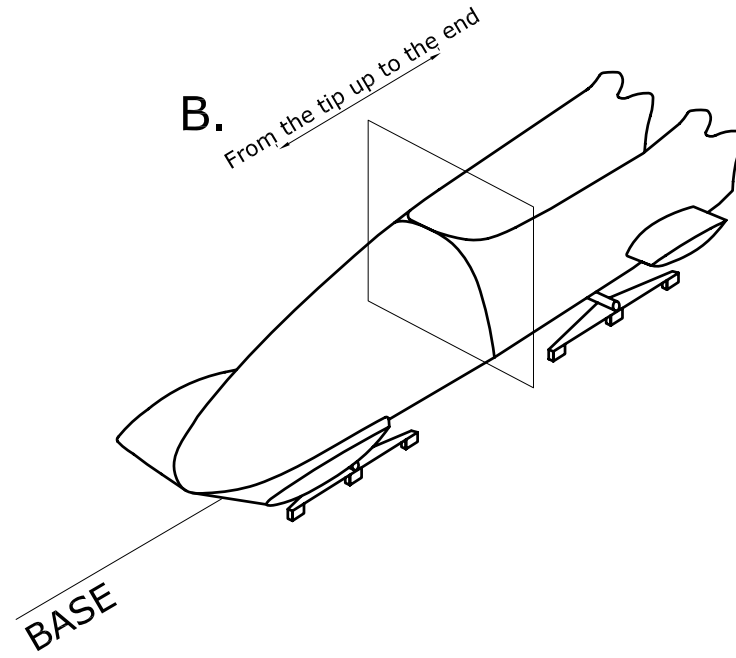
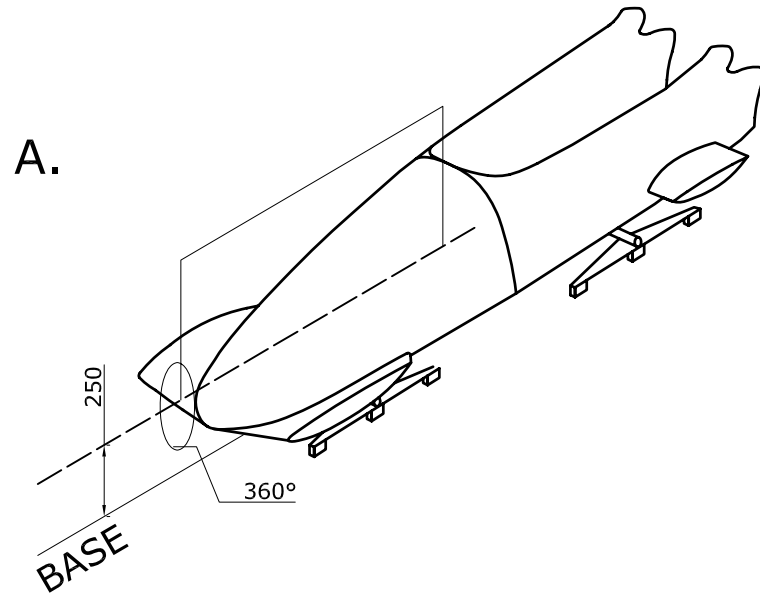
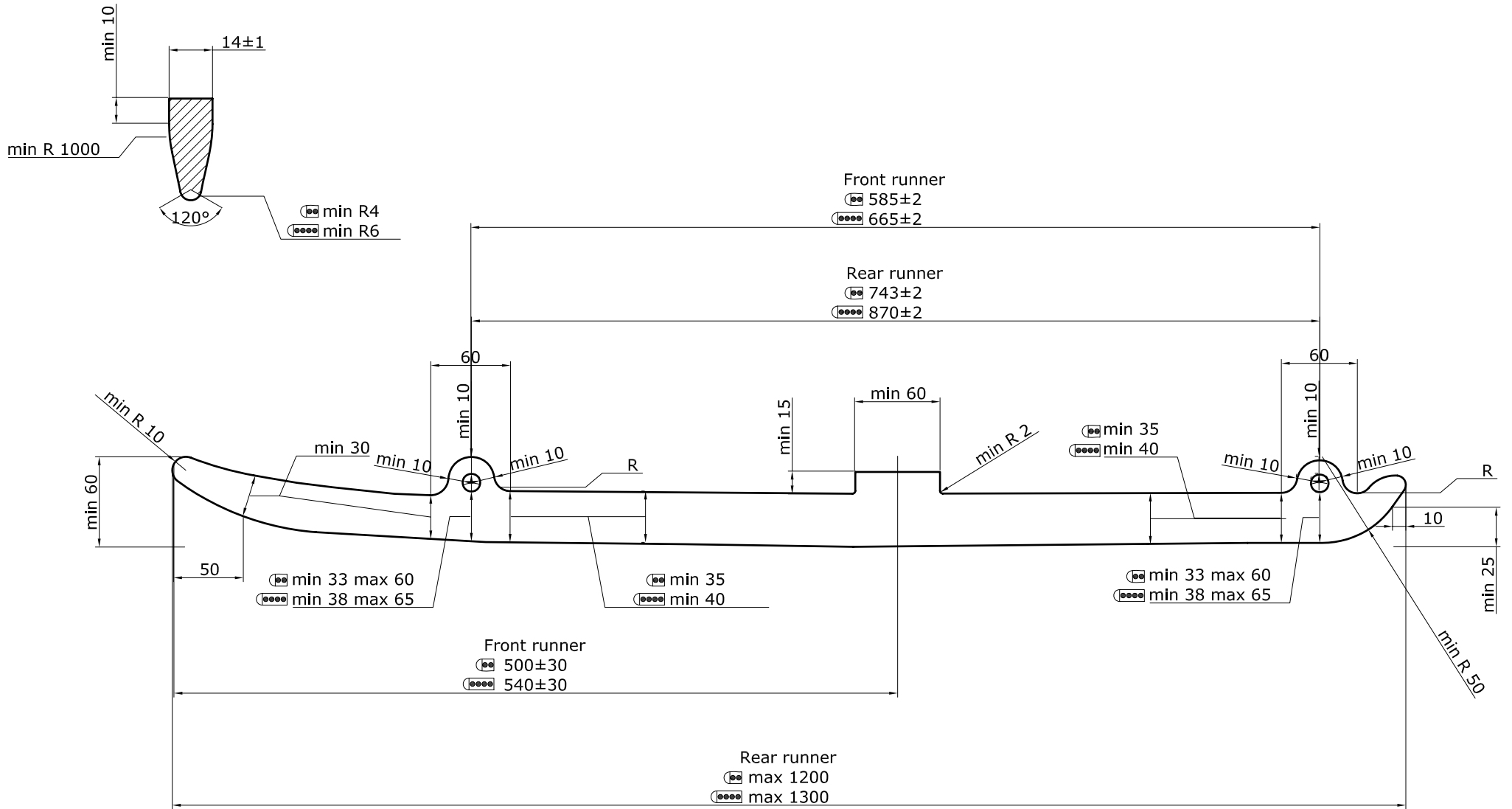


Fig.21



All measurements in mm